



***drive***



**Steel Travel Chair**  
(TR39-ESV)

**Instructions for use**

**CE**

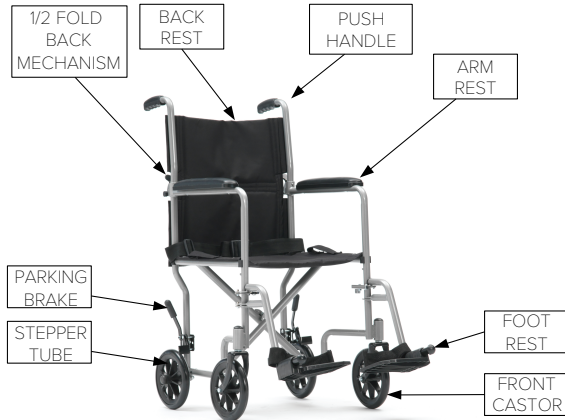
## introduction

The TR39-ESV steel travel chair range is intended to assist the transport of users with mobility difficulties. These wheelchairs are designed for occasional or frequent use, and can be used indoors and outdoors, but should not be used on rough terrain. Over-loading the wheelchair is the only known contraindication, although others may be specific to an individual or care environment.

The wheelchair can be manually moved forward and in reverse. The wheelchairs are transit models, to be operated by the wheelchair attendants while the occupant is seated. The wheelchairs can support users of up to 115 kg (18 stone).

These instructions should be read carefully before using the wheelchair. This product does not have a service manual. The only parts for user assembly are the footrests. Remove all packaging and stand the wheelchair on the ground. Separate the arm rests to open the wheelchair, then push the seat down firmly. Once the seat is secure and the footrests are attached, the wheelchair is ready for use.

## parts description



(TR39-ESV)

## preparing for use

A risk assessment must also be performed to assess suitability of the device for the user. This assessment should include, but not be limited to:

- Small adults (and children)
- Users (and attendants) who lack capacity
- Very active occupants
- Unauthorised access to the wheelchair

Attendants are responsible for determining that they are both mentally and physically capable of using the wheelchair with minimal risk of harm.



Maximum occupant mass – Exceeding this value marked on your device can damage the product and put users at risk of harm.



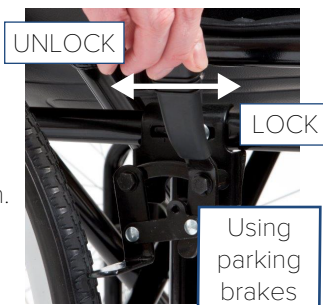
### Warning

This wheelchair must not be used as a seat in a motor vehicle. Users should always transfer to the vehicle's seat and the wheelchair should be safely stowed away.

### Using Parking Brakes

Push the handle on the brake unit until locked in place. To release the brake, push the handle in the opposite direction. The brakes should always be applied when the wheelchair is stationary.

Note: The brake may be visually different from shown.



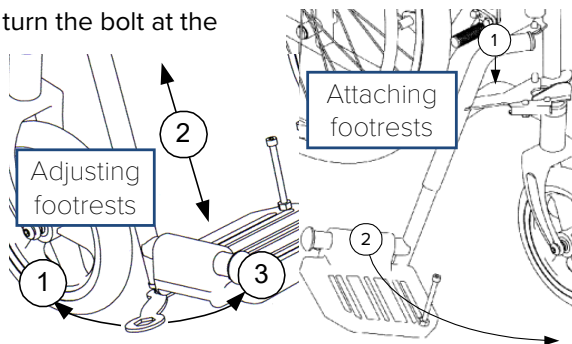
### Fitting and Altering the Footrests

To fit the footrests, place them on the two receiver posts on the frame. Swing inwards until they lock in position. To remove, press the chrome lever whilst swinging the footrest out.

It is important to attain the correct leg position for optimum comfort.

To adjust the footrest height, turn the bolt at the bottom clockwise using a spanner (1). Adjust the footplate to lengthen or shorten (2), then turn anticlockwise to tighten (3).

Note: Always ensure the bolt is sufficiently tightened after adjustment.



## transfer and use



### **Before using the wheelchair, read the safety notices below;**

- Do not exceed the 10° maximum gradient. Use slow speeds and do not reverse down a gradient.
- Do not use on escalators.
- The wheelchair is only suitable for single occupancy.
- Keep your feet on the footrests when moving. Do not stand on the footrests. Overloading can cause harm to the occupant.
- Ensure that fingers and objects do not get caught in the wheel spokes or any other moving parts during use and assembly.
- Maintain proper balance at all times. Users should not move their centre of gravity out of the seating area or reach further than their arm's length.
- Parking brakes should always be applied when transferring.
- Be aware of hazards in your environment, such as narrow doorways, steps, household appliances, children's toys, etc.
- A risk assessment must be performed by a competent person to ensure the wheelchair is suitable for the user. Consult a healthcare professional before using assistive medical devices.
- Keep away from heating and ignition sources which may raise surface temperatures or cause a fire.

**Transfer:** When transferring in and out of the seat, move the seats as close as possible to each other. Attendants should always engage parking brakes during transfer and fold away footrests. If required, attendants are responsible for being suitably trained and competent to lift occupants with minimal risk of harm. Good health and safety practice must always be used.

**Propelling:** Following the safety advice above, attendants should push from behind using the handgrips. To slow down, apply reverse pressure to the push handles.

When stationary, the brakes should always be applied.

## using a wheelchair belt

Belts are often used to restrain wheelchair occupants during normal use. However, belts are not necessary parts of this device. Any belts used should be adjusted to suit each user. When fastened, they should be tight without causing discomfort or undue pressure. Belts may not be suitable for all users. Seek professional medical advice before using a wheelchair belt.



## steep terrain, kerbs and steps

**Steep terrain:** These wheelchairs are not designed for use on gradients beyond 10°. When on a slope, avoid swerving or sudden changes in movement.

**Over kerbs:** Attendants push down on the stepper tube with a foot to raise the front castors (when mounting a kerb for example).



### Common misuse

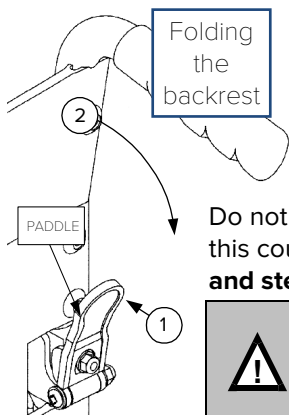
Do not lean or push down on the push handles, as this can damage the wheelchair.

To mount, approach the kerb head-on. The attendant uses the stepper tube to raise the front castors, and lower the front castors on the raised kerb. Then push the wheelchair forward, lifting it up slightly to mount the kerb if required.

To go down, align the front castors with the kerb edge. Using the tube to keep the castors raised, tip the user slightly back and slowly lower the wheelchair.

**Multiple steps:** The wheelchair is not designed to mount staircases, so may require carrying if no elevators or ramps are available. Attendants are responsible for being suitably trained and competent to lift the wheelchair with minimal risk of harm. Do not carry using the handles or any removable sections.

## folding and storage



To fold the backrest, push the black paddle towards the back post with your thumb (1) whilst pulling the handle down (2). Repeat this operation for the other handle. To secure the backrest, lift both handles together until the folding mechanism locks automatically.

Do not push down on the handles to raise the wheels, as this could damage the wheelchair. See **steep terrain, kerbs and steps** to mount obstacles using the stepper tube.



### Common misuse

The paddle is intended to be pushed. Do not pull the paddle to fold the backrest.

This wheelchair is easily foldable to minimise storage space. Once the footrests have been either folded and swung outwards, or removed (see **footrest adjustment**), fold the wheelchair by pulling upwards on the centre edges of the seat sling. Store with the parking brakes on, in a dry environment, away from direct sunlight.

Note: The wheelchair may be folded and stored in a motor vehicle.

## care and maintenance

Do not use a damaged or badly worn wheelchair. Users should routinely check for any malfunctions or changes in performance. Contact Drive DeVilbiss Healthcare Ltd or your provider to replace damaged or worn parts.

- Brakes and tyres should be checked before each use, and at least once a month.
- The wheelchair should be kept dust free and cleaned at least once a week. Upholstery and tyres can be cleaned with a damp cloth and mild soap solution. Avoid neat bleach or abrasive surface cleaners. Leave to fully dry before reuse. Metal parts should also be polished once a month with an auto wax. Replace worn or torn upholstery promptly, as it may not support your body weight.
- Drive DeVilbiss Healthcare Ltd recommend that an approved service engineer maintains the wheelchair annually, and these items should be repaired, replaced, adjusted and/or lubricated if required:
  - Tyres and castors
  - Wheel bearings
  - Brakes
  - Footrest locking mechanism
  - Seat upholstery
  - Back upholstery
  - Arm pads
  - Back posts
  - Wheelchair folding mechanism
- When the product has reached the end of its useful life, follow local recycling and disposal policies.

## powerpack installation



This wheelchair is suitable for some retrofit powerpacks, which allow the device to be controlled electronically. (See [Powerpack example image](#).)

Powerpacks are not required to use the wheelchair. The mounting position will need adapting to be suitable for both the user and the powerpack used. Any installed powerpack must be used in line with the manufacturer's instructions for use.

For more information about powerpacks, contact your local dealer.

## warranty

Your Drive branded product is warranted to be free of defects in materials and workmanship for one year from date of purchase. This device was built to exacting standards and carefully inspected prior to shipment. This warranty is an expression of our confidence in the materials and workmanship of our products and our assurance to the customer.

In the event of a defect covered by this warranty, we will at our option supply parts or replace the device. This warranty does not cover device failure due to owner misuse or negligence, or normal wear and tear. The warranty does not extend to non-durable components, such as rubber accessories, castors and grips, which are subject to normal wear and need periodic replacement. The wheelchair frame has a 5-year warranty.

If you have queries or require full warranty conditions, contact your provider.

## accessories and spare parts

Accessories and spare parts are for maintaining your wheelchair. To order parts which are compatible with these wheelchairs, contact your provider. Visit [www.drivedevilbiss.co.uk](http://www.drivedevilbiss.co.uk) to find your local stockist. Spare part catalogues, compatibility charts and other documentation can also be found on this website. Only use parts approved by Drive DeVilbiss Healthcare Ltd.

## specification

Model	TR39-ESV
Maximum occupant mass	115 kg
Overall length with footrest	84 cm
Overall width	51 cm
Folded width	20 cm
Total mass	12 kg
Static stability	10°
Effective seat depth	40 cm
Effective seat width	48 cm
Seat surface height at front edge	48 cm
Overall height	99 cm

For more information, or assistance with use and maintenance, please contact your provider. Users with visual, reading or cognitive disabilities should seek advice from their provider or a professional care provider for an appropriate format. For the latest version of this document, contact Drive DeVilbiss Healthcare Ltd using the details below, or check our website.

Any serious incident that has occurred in relation to the device should be reported to the manufacturer and the competent authority of your Member State. Please quote the product serial code on all correspondence, which can be found on the wheelchair frame under the seat.



**Zhenjiang Assure Medical Equipment Co., Ltd**  
#297 Chuqiao Road, Zhenjiang City,  
Jiangsu Province, 212009 CN



**Lotus NL B.V.**  
Koningin Julianaplein 10, le Verd,  
2595AA, The Hague, NL



GB

**Drive DeVilbiss Healthcare Ltd**  
Sidhil Business Park, Holmfield, Halifax  
West Yorkshire, HX2 9TN, GB

Drive DeVilbiss Healthcare Ltd provide these instructions for use and product markings.

info@drivedevilbiss.co.uk  
www.drivedevilbiss.co.uk

Service & Maintenance  
Tel: +44 (0)1422 233136  
Fax: +44 (0)1422 233010

Spares  
Tel: +44 (0)1274 475125

Customer Service  
Tel: +44 (0) 845 0600 333  
Fax: +44 (0) 845 0600 334

Approved service facility

